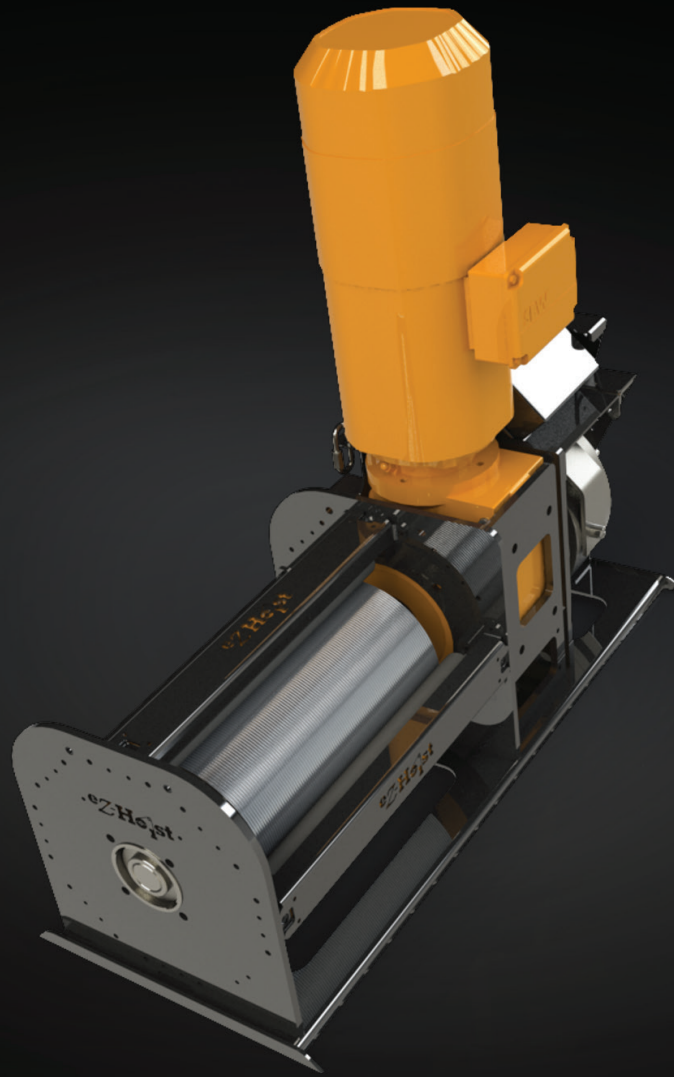


Zspot

Zspot. Zspot run.



ezHoist AUTOMATION MADE EASY

zfx flying effects
www.zfxflying.com

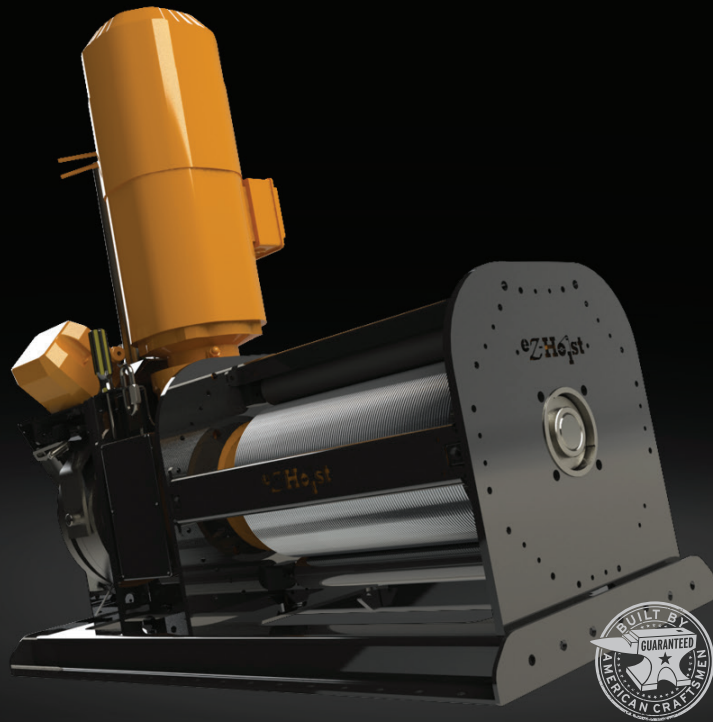
It's not a myth! ZFX does make automated solutions for all theatrical needs

Practically designed spot hoist using top of the line components like SEW, Mayr, TER, Dodge, Martin, Harting, and, of course, ZFX

Reasonably priced without sacrificing function and features

Fastest delivery in the industry - 2 week standard or 3 day turnaround with expedite fee and without nickel plated parts

Ergonomically placed limit switches. Indicator lights display when limits are open or closed--no more listening for clicks!



Built-in screwdriver for adjusting limits. (Cup holder optional)

Ready to use for a single line, dual line, or a roll-on, roll-off for travel/traverse systems

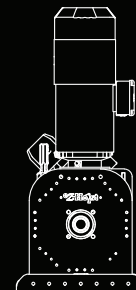
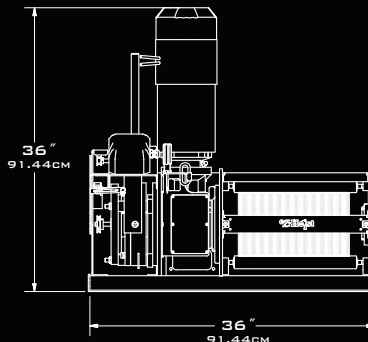
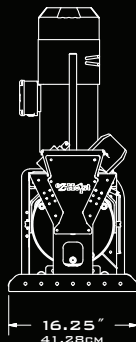
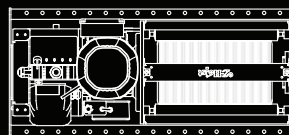
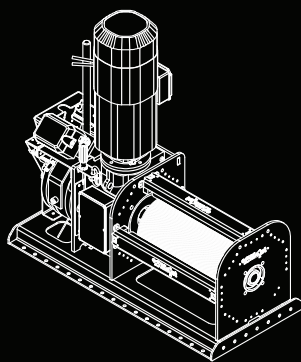
Redundant, manually releasable brakes featuring quiet operation. Optional portable battery powered brake release for models using 24vdc brakes

Can be used with eZ-Hoist single axis controls or Raynok control system, we can provide encoders and plugs to work with ANY control system

Four spring mounted, adjustable tension, urethane coated cable keeper rollers

eZ Hoist Zspot

	STANDARD	OPTIONAL
Voltage	208vac 60hz	380-420, 480vac 50/60hz
Motor Horsepower	5HP(3.7kW)	5.4HP (4.0kW) 7.5HP (5.5kW)
Load Capacity	500 lbs (227 kg)	1000 lbs (454 kg) or higher
Speed	4 ft/s (1.2 m/s)	Too many options to list
Lift with single line	136 ft (41 m)	94 ft (28 m)
Lift with dual lines	65 ft (20 m)	43 ft (13 m)
Rope Diameter	3/16" (5mm)	1/4" (6mm)
Brake Coil	200vac	24vdc
Encoder	TTL Incremental	Absolute: SSI, Hiperface, EnDat
Weight	350lbs (159kg)	----



DEVELOPMENT FACILITY
611 Industry Road | Louisville, KY 40208
tel: 502.637.2500 | fax: 502.637.7878

FINANCIAL OFFICES
6232 Moonfield Drive | Huntington Beach, CA 92648
tel: 714.775.4321 | fax: 714.775.0711

EUROPEAN OPERATIONS
Veldzigt 3 3454 PW De Meern The Netherlands
tel: +31(0)30-2428280