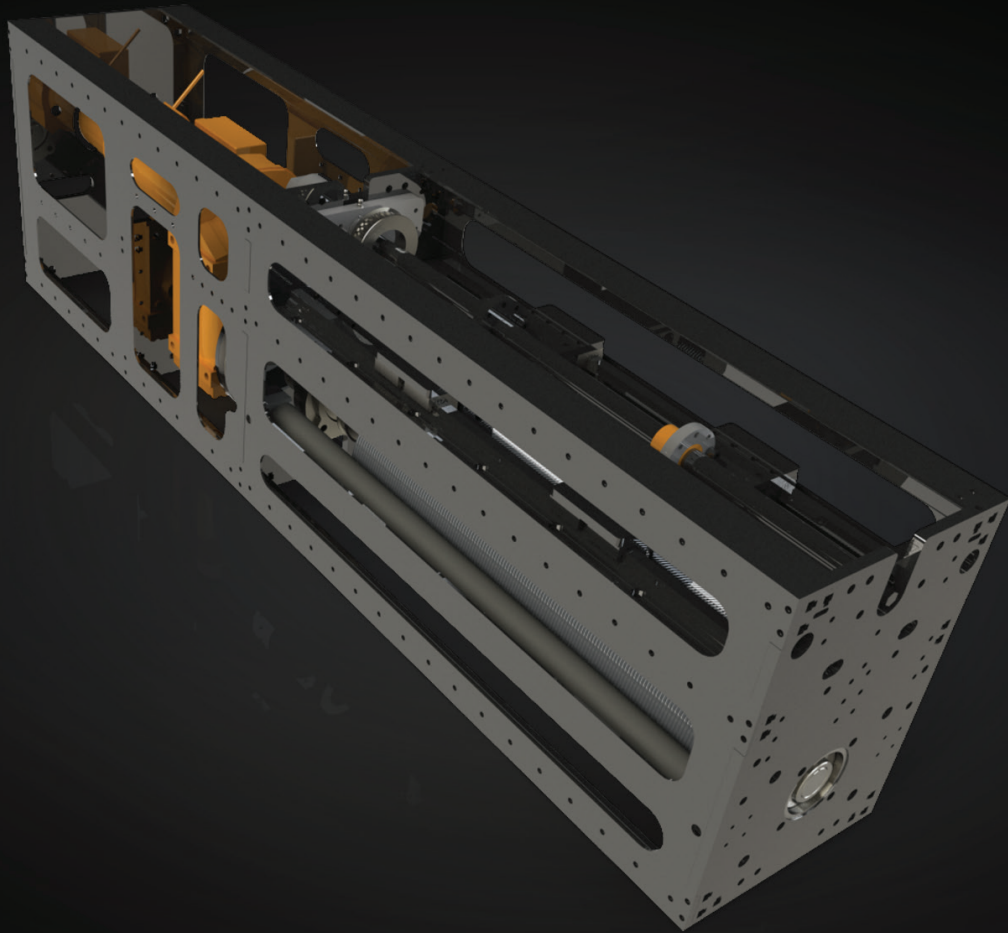


eZR

Flying Made Easy



eZ Hoist AUTOMATION MADE EASY

zfx flying effects
www.zfxflying.com

Zero fleet angle positional redirect pulleys built into hoist

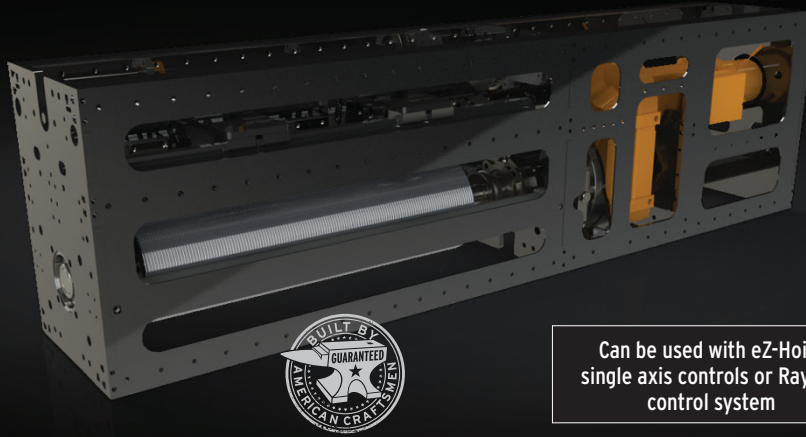
Includes top of the line components like SEW, Mayr, TER, Dodge, Martin, Harting, Igus, and, of course, ZFX

Dual, independently positional moving fairlead pulleys. No need for 50 dead wraps when doing roll-on roll-off!

Easy-to-set intuitive limit switches, ideal for frequent adjusting

Designed to easily spin or reeve the drum without power. Ideal for real world problems during setup when electricians haven't run power or the generator is on a truck

Ready to use for a single line, dual line, or a roll-on, roll-off, for travel/traverse systems



Redundant, manually releasable brakes featuring quiet operation

Comes standard with portable battery powered brake release

Two spring mounted, adjustable tension, urethane coated cable keeper rollers

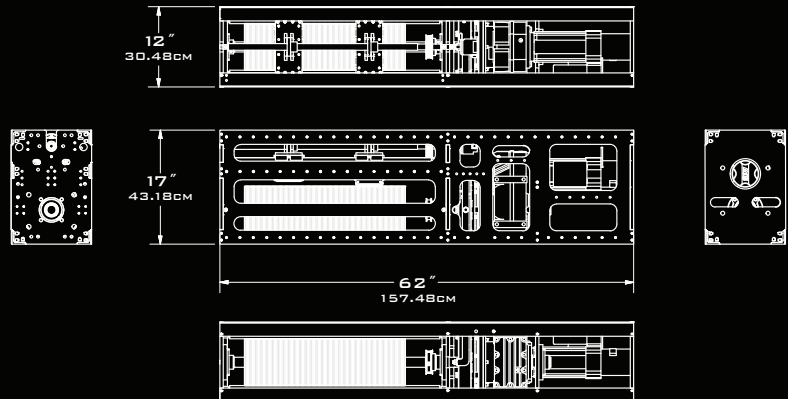
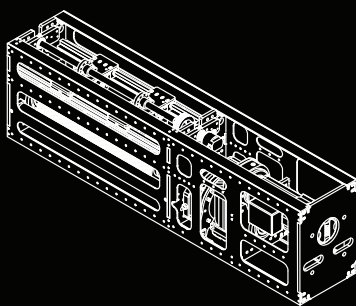
Can be used with eZ-Hoist single axis controls or Raynok control system

eZ Hoist eZR

	STANDARD	OPTIONAL
Voltage	208vac	380-420, 480vac 50/60hz
Servo Horsepower *	6HP (4.5kW)	Nearly infinite options
Load Capacity	260 lbs (118 kg)	Nearly infinite options
Speed	9 ft/s (2.75 m/s)	Nearly infinite options
Lift with single line	240 ft (73m)	Nearly infinite options
Lift with dual lines	2 x 120 ft (2 x 36 m)	Nearly infinite options
Rope Diameter	5/32" (4mm)	3/16" (5mm), + (6mm)
Brake Coil	24vdc	208-230, 380-420, 480 vac
Encoder	Hiperface	SSI, EnDat
Weight	400 lbs (181 kg)	-----

*Of course servos aren't normally rated in horsepower**. This is for easy comparison since the industry rating style of Newton meters of torque (nominal) at a certain RPM is difficult to use when comparing servo motors to AC motors.

** Horsepower = (torque in inch/lbs * RPM) / 5252



DEVELOPMENT FACILITY
611 Industry Road | Louisville, KY 40208
tel: 502.637.2500 | fax: 502.637.7878

FINANCIAL OFFICES
6232 Moonfield Drive | Huntington Beach, CA 92648
tel: 714.775.4321 | fax: 714.775.0711

EUROPEAN OPERATIONS
Veldzigt 3 3454 PW De Meern The Netherlands
tel: +31(0)30-2428280